

Modular Jack

SPECIFICATIONS

Mechanical

Mating Force: 4Pounds max.
Unmating Force: 4Pounds max.
Durability: 1000 Cycles

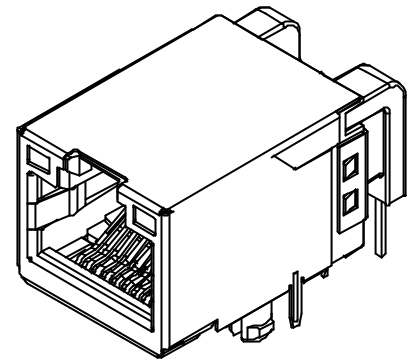
Electrical

Voltage Rating: 150VAC max.
Current Rating: 1.5A max.
Dielectric Withstanding Voltage: 1000V
Insertion Loss: -1.0dB max. @1-100MHz
Return Loss: -12dB min. @1-80MHz
Cross Talk: -35dB min. @1-100MHz

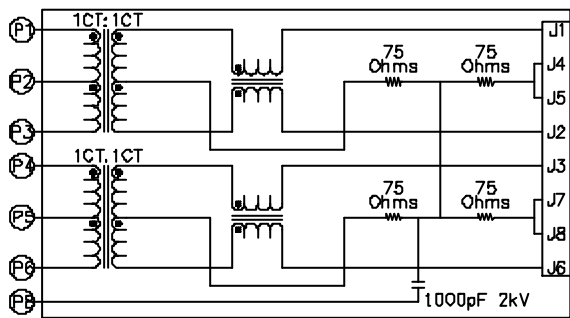
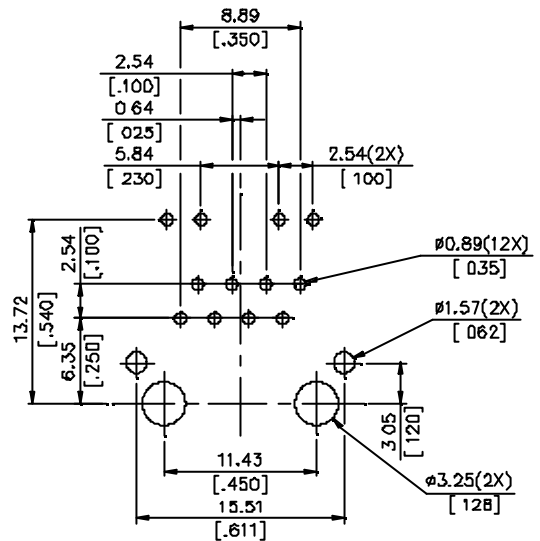
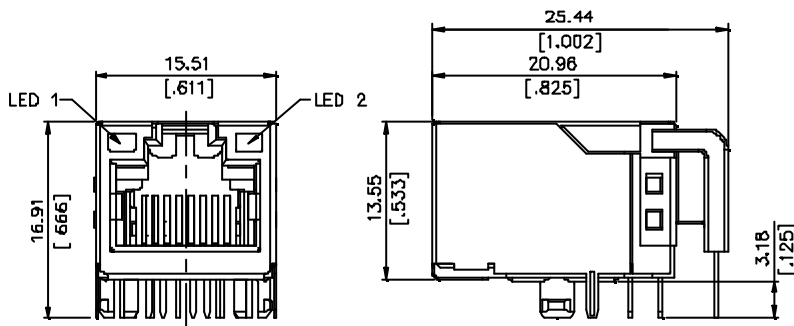
Physical

Housing: Thermoplastic, UL 94V-0 rated in Black Color
Contact: Copper Alloy
Shell: Copper Alloy
Operating Temperature: 0 to +85

JFM Series
RJ45 1X1
R/A, T/H Type
1.27mm [.050"] Pitch
10/100 Base-T



DRAWING

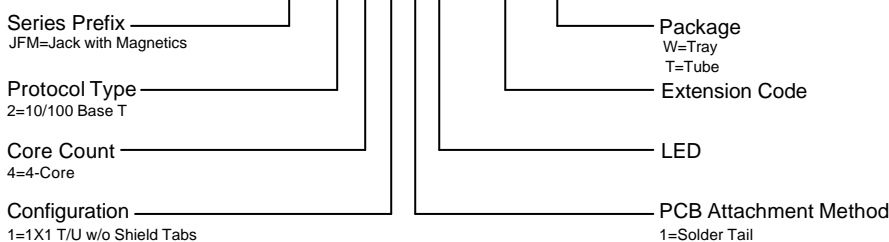


SCHMATIC

RECOMMENDED P.C.B. LAYOUT

ORDERING INFORMATION

PRODUCT NO. : JFM 2 4 1 1 * - 0101 *



JFM2411B-0101*	Green	Orange-Yellow
JFM2411A-0101*	Green	Green-Yellow
JFM24119-0101*	Green	Red
JFM24118-0101*	Red	Green
JFM24117-0101*	Yellow	Red
JFM24116-0101*	Red	Yellow
JFM24115-0101*	Red	Red
JFM24114-0101*	Yellow	Yellow
JFM24113-0101*	Green	Yellow
JFM24112-0101*	Green	Green
JFM24111-0101*	Yellow	Green
JFM24110-0101*	None	
P/N	LED1	LED2